



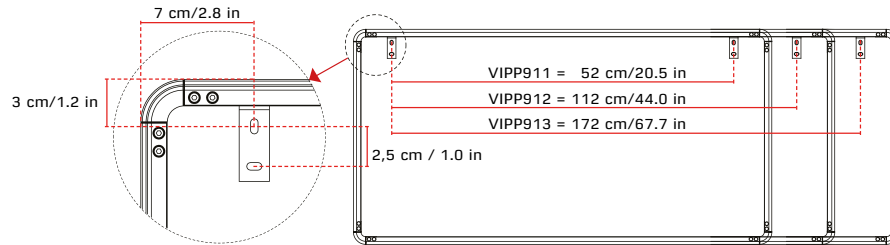
VIPP911/912/913
MIRROR

INSTALLATION AND CARE INSTRUCTIONS

INSTALLATION GUIDE HORIZONTALLY

VIPP911/912/913 MIRROR

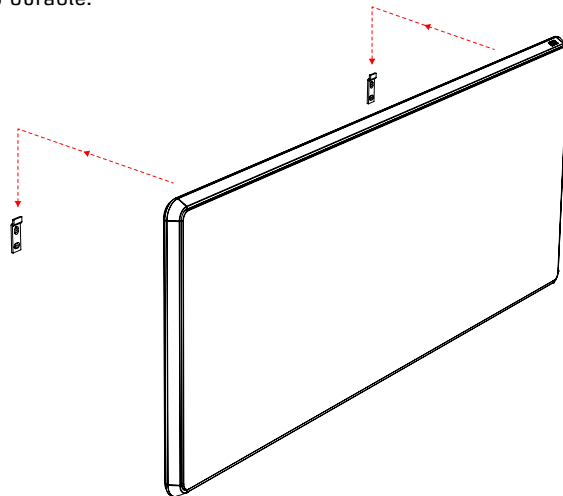
Please use correct wall anchors and screws matching both the weight of the mirror and the wall type. The total weight of each mirror type is listed below:



WEIGHT

VIPP911: 7,5 kg/16.5 lbs
VIPP912: 13,5 kg/29,8 lbs
VIPP913: 20 kg/44 lbs

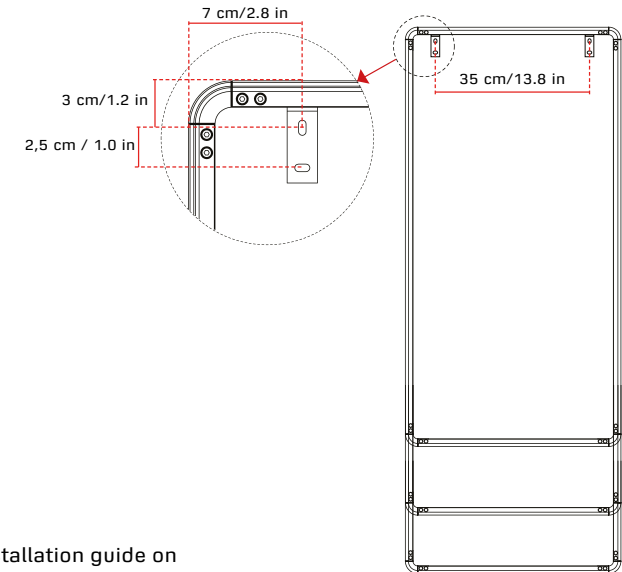
Drill holes for the mounting brackets. Mount the brackets with anchors and screws. Adjust the height of the brackets with a spirit level. Place the mirror against the wall and slide it downwards until the mirror frame locks properly onto both brackets. If you can pull the mirror outwards without detaching it from the brackets, the mounting is complete and durable.



INSTALLATION GUIDE VERTICALLY

VIPP911/912/913 MIRROR

Please use correct wall anchors and screws matching both the weight of the mirror and the wall type.



Please follow the installation guide on the previous page.

CARE INSTRUCTIONS

POWDER-COATED SURFACES

Keep powder-coated surfaces clean and dry. Use a lint-free cleaning cloth or a soft brush with warm water and a mild detergent.

TIPS FOR STAINS

Grease stains: Use alcohol or glass cleaner to remove grease stains. Then follow the guide for maintenance above.

Lime stains on the black (rough) surface: Use a mild descaler suitable for painted surfaces. Use a lint-free cleaning cloth. Rinse with clean water and finally wipe with a dry cloth.

GLASS SURFACES

Use a lint-free cleaning cloth with spray based glass cleaner.